



Mast Measurements

Petticrows Tips and Guides

Make sure your mast complies with the class rules

Index

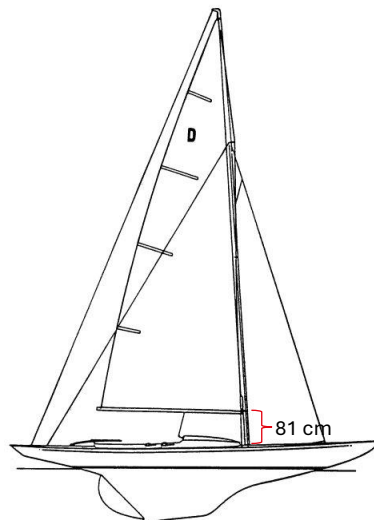
Introduction.....	1
Deck to Lower Band	1
Lower Band to Upper Band.....	2
Mast to Boom Band.....	2
Summary Table.....	3

Introduction

Before the official championship measurement, you should check if your mast complies with the class rules. This document will guide you through this process. Always feel free to contact us by telephone (+351 219 233 147) or by email (petticrows@petticrows.com).

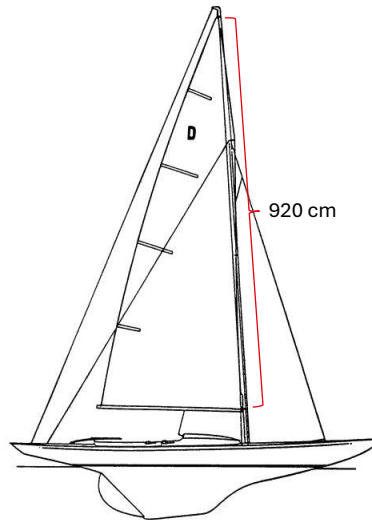
Deck to Lower Band

With the mast forward, measure the distance from the deck to the top of the black band on the mast. This distance should be no more than 81 cm.



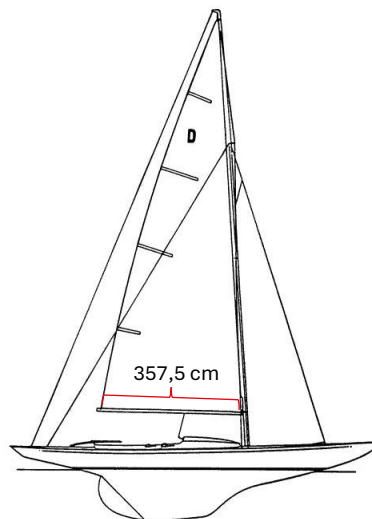
Lower Band to Upper Band

The distance from the top of the lower band to the bottom of the upper band on the mast shouldn't exceed 920 cm. Additionally, make sure that the sail doesn't go higher than the bottom of the upper band.



Mast to Boom Band

Measure the distance from the aft end of the mast to the front of the boom band. This distance shouldn't exceed 357,5 cm. Additionally, make sure that the sail doesn't extend pass the front of the boom band.





Summary Table

Reference Points	Max Distance (cm)
Deck-Lower Band	81
Lower Band-Upper Band	920
Mast-Boom Band	357,5